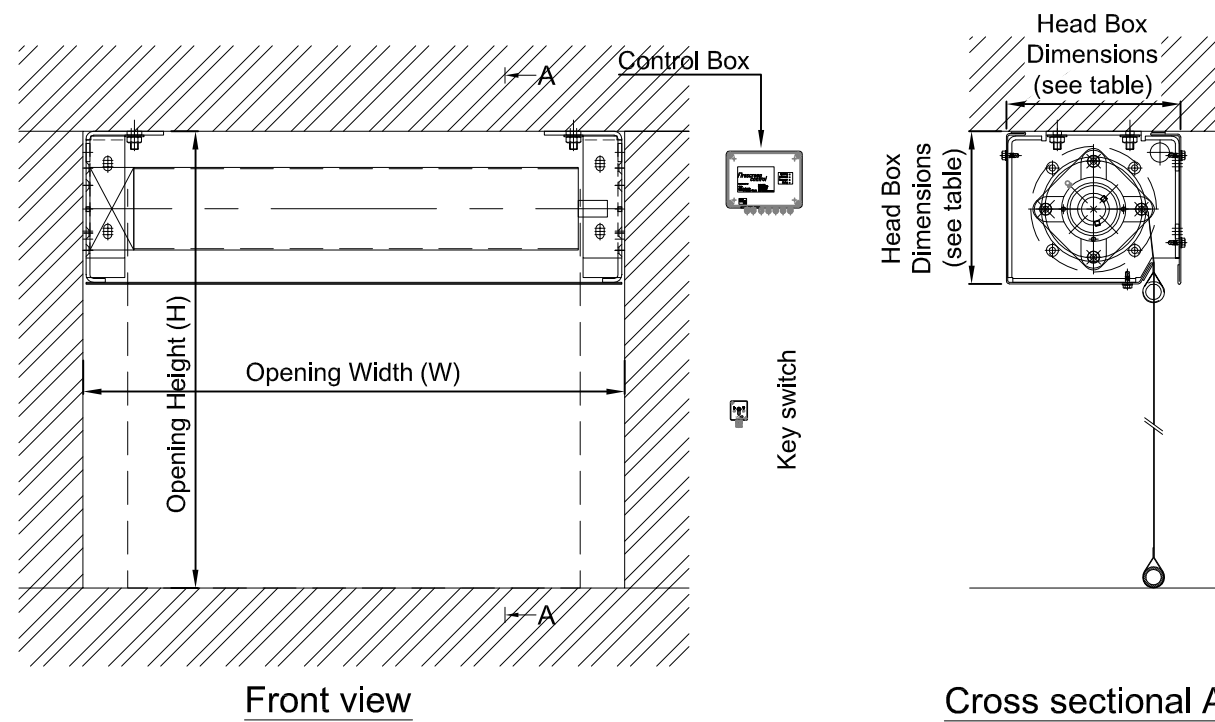


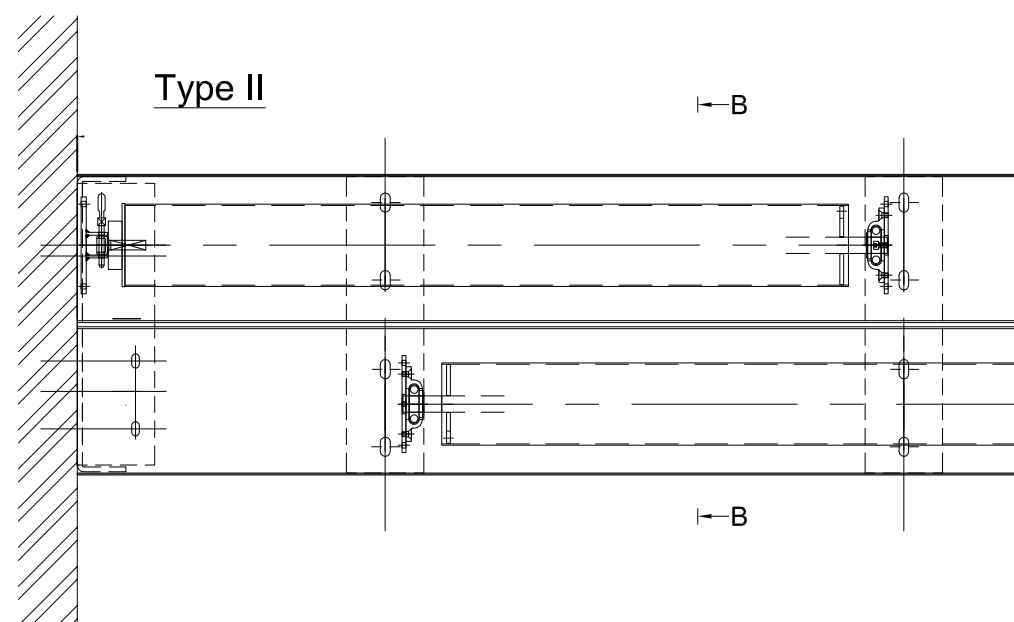
Firescreen® Smoke

Type I

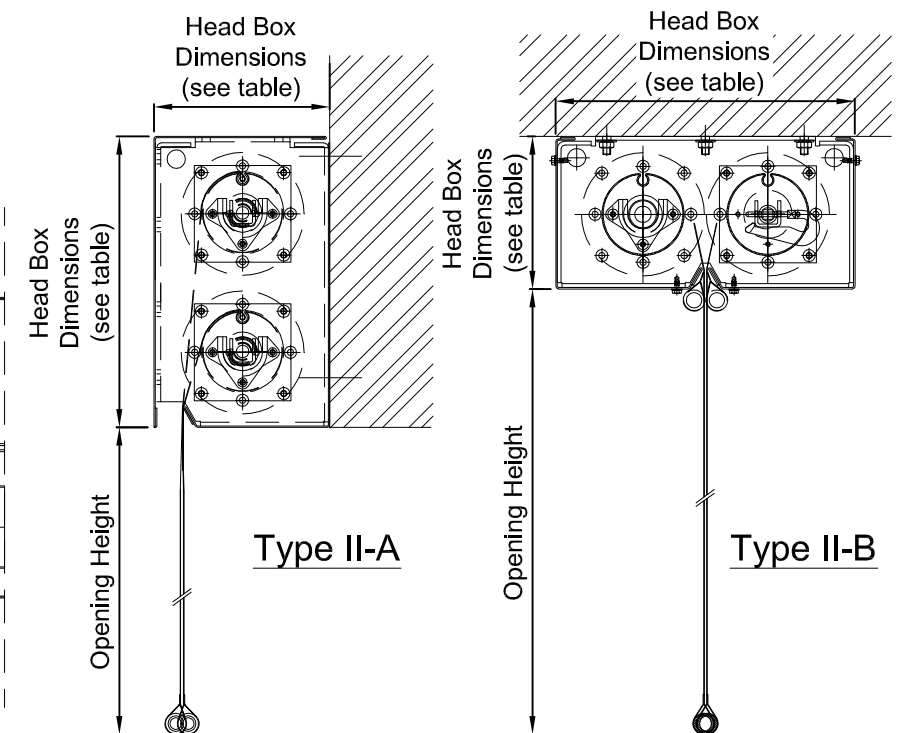


Front view

Cross sectional A-A



Front view Type II-A / Plan view Type II-B



Cross sectional view B-B

Opening Height (H)	Opening Width (W)	
	1000 — 5500	> 5500
1000	Type I	Type II
6000	Type I	Type II

* Dimensions shown in the drawings are indicative.

	Dimensions	
	Head Box Height (mm)	Head Box Width (mm)
Type I	160	180
Type IIA	300	180
Type IIB	160	310

Project:	Rev.0: mmdyy	
Client:	0	mmdyy mmdyy
	Rev.	Drawn by Checked by
	American Projection	
	Size tolerances ISO 2768-mK	
Denomination:	Scale: n.a.	Page number: 1
	Unit: MM	Order



PURVEYOR TO THE ROYAL HOUSEHOLD



P.O. Box 5036 5004 EA Tilburg
 Zevenheuvelenweg 50 5048 AN Tilburg
 tel. +31(0)13-4625959
 fax. +31(0)13-4670371
 info@hoefnagels.com
 www.hoefnagels.com